



Bellica: low-volume sprayer with anti-drift panels and recovery system

VMA's micro-perforated stainless steel panels permit air flow while holding in excess spray liquid, which is then filtered and returned to the main tank in order to reduce costs and protect the environment.

This new VMA system has a modular high-power centrifugal fan and air ducts equipped with directional blades inside of which variable position deflectors make it possible to direct and manage the volume of air needed to properly deliver pesticide to the innermost parts of the thickest plant growths, resulting in the utmost leaf surface coverage and the delicate crop area by eliminating spray drift.



Standard features

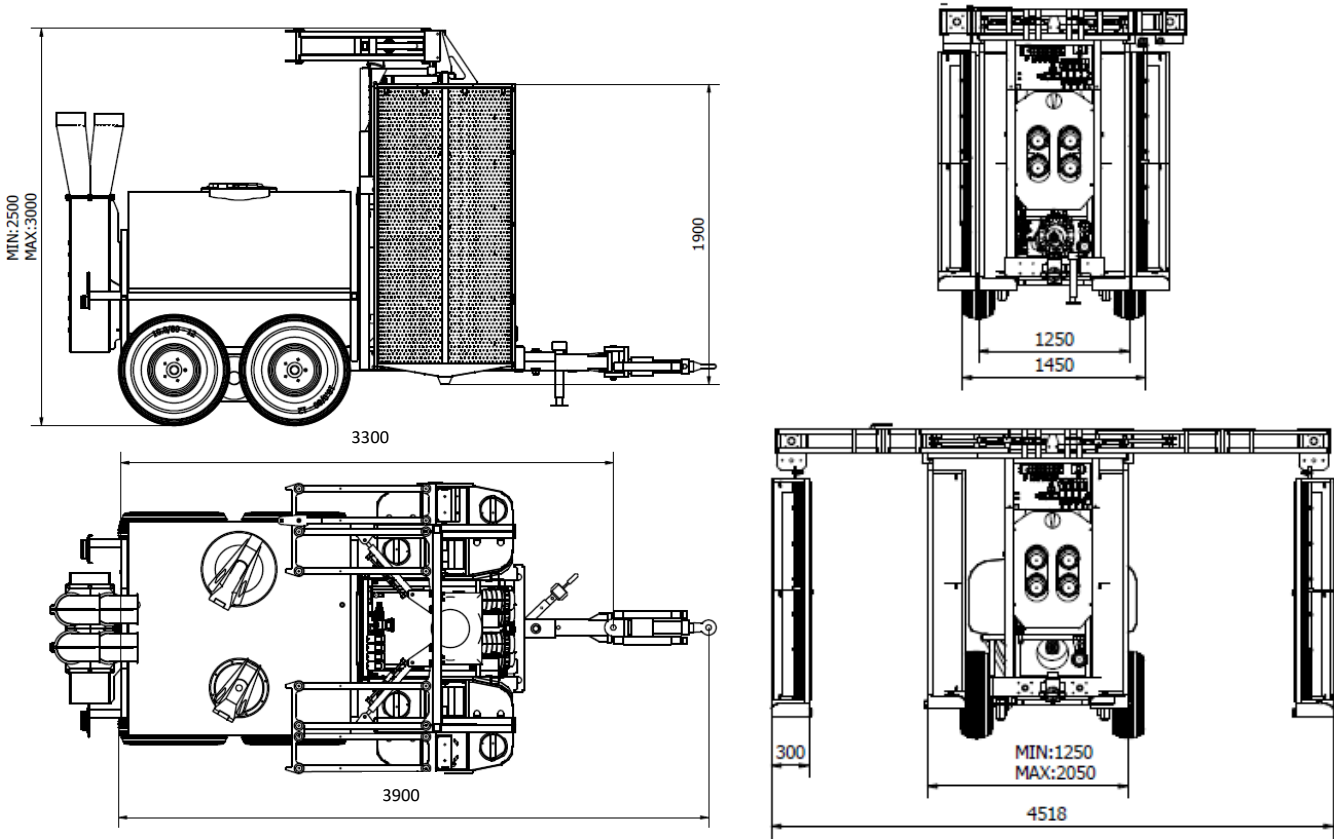
- Two-row variable-geometry sprayer with a horizontal parallelogram structure particularly suitable for spraying rows from 1.80 m. to 3.20 m in width. The hot-dip galvanized steel frame is coated with metallic paint.
- Stainless steel 1500 liter tank complete with electronic level sensor, product mixer and can washer
- High-density polyethylene circuit washing tank, Stainless steel hand washing tank
- Hot-dip galvanized steel fan casing coated with metallic paint
- High-performance centrifugal fan made of 550 mm diam. steel
- Disengagement and centrifugal clutch on the fan shaft to ensure gradual PTO engagement
- Oil-cooled torque multiplier with neutral and two-speed gearbox to achieve air volumes up to 22,000 mc/h
- Three-membrane 135 l/min 0 - 20 bar pump for dispensing the spray liquid
- Four-membrane Viton pump for independent recovery of excess spray liquid
- 7 dual nozzle jets per panel
- ARAG Bravo 350 model computer to automatically manage spray flows and control recovered liquid
- Computer for electro-hydraulic control of distribution panels with remote control panel equipped with display for opening, closing and row adaptation with memory functions.
- 10/80 12 5-hole tandem wheels with rear wheel lifting piston for tight maneuvers
- Manual locking steering drawbar

Accessories:

- Unilateral/bilateral constant-velocity joint
- Hydraulic locking steering drawbar with internal piston



Dimensions:



Minimum row width

Maximum row width

